

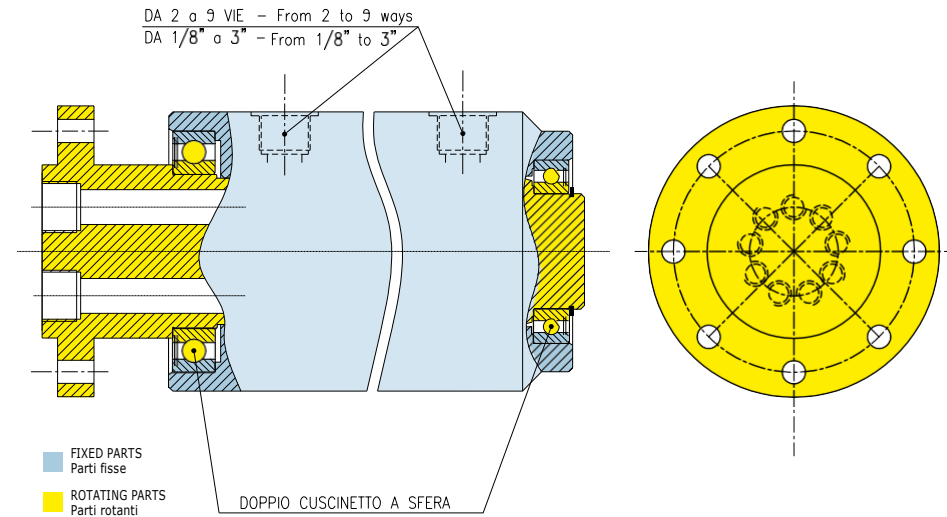
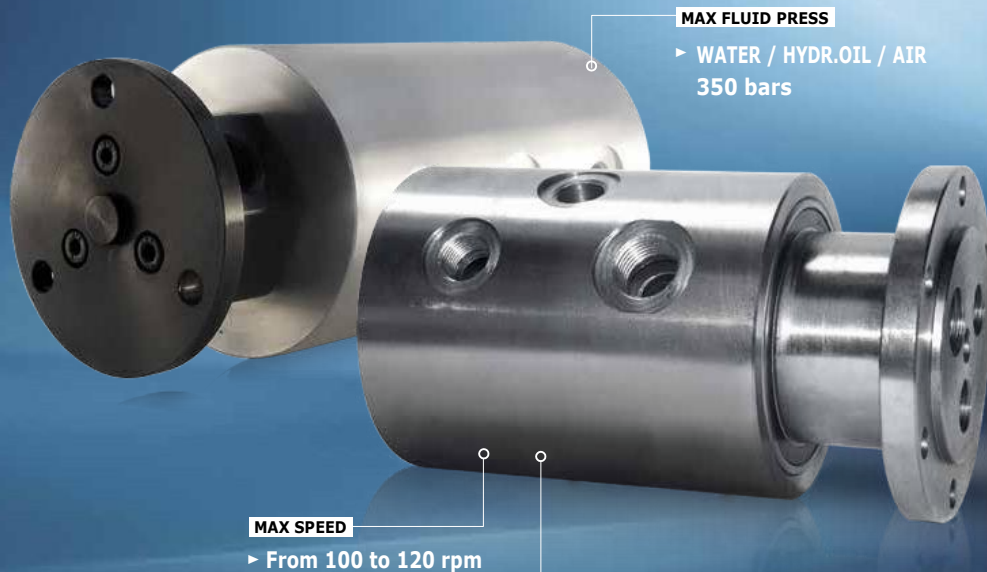


ROTATING UNION MULTIDIRECTIONAL // FROM 2 TO 9 DIRECTION

Giunti rotanti multivie // da 2 a 9 vie

The Girol's IH series are multi ways rotating unions. They are designed to meet customers needs in different fields as steel, food, packaging and glass industries. In order to project this kind of rotating unions, we need to know the following parameters: number of ways, size of the ways, rotary speed, pressure, temperature and fluid of passage. The picture on the right shows a 17 ways rotating union produced for ArcelorMittal in Ukraina. We are already supplier in OEM and steel plants worldwide.

The Girol's IH series are multi ways rotating unions. They are designed to meet customers needs in different fields as steel, food, packaging and glass industries. In order to project this kind of rotating unions, we need to know the following parameters: number of ways, size of the ways, rotary speed, pressure, temperature and fluid of passage. The picture on the right shows a 17 ways rotating union produced for ArcelorMittal in Ukraina. We are already supplier in OEM and steel plants worldwide.



Main features

- 1) Design on customer request
- 2) Self supporting by two bearings
- 3) Material on customer request
- 4) Number of ways from 2 to 9
- 5) Dimension of ways from 1/8" a 3" gas
- 6) Adaptable with electrical joint
- 7) Acciaio inox



Caratteristiche principali

- 1) Progettazione su misura in base alle esigenze
- 2) Autosupportazione mediante due cuscinetti a sfera
- 3) Materiali in base a qualsiasi richiesta
- 4) Numero passaggi da 2 a 9 vie
- 5) Grandezze passaggi da 1/8" a 3" gas
- 6) Adattabilità con collettori elettrici

